

AURORALIGHT

PROJECT: _____

SKU #: _____

TYPE: _____

MARINER

HCS016159-0000

The Mariner downlight is the longest production luminaire in our product line. Continual upgrades over its lifetime since 1996 ensure the Mariner is always at the top of its game.

- Hermetically Sealed Assembly
- Thermally regulated for peak performance
- Solid brass and copper construction
- Ideal for trees, patios and architectural features

CONFIGURATOR:

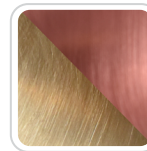
HCS016159-0000	FINISH
() = Most common configuration	<input type="checkbox"/>
	(NAT) Natural Brass
	(BLP) Bronze Living Patina
	(BLPX) Extra Dark BLP
	(NI) Nickel PVD

FIXTURE DIMENSIONS	L5-1/2" x D2-1/4"
LIGHT SOURCE	MR16 Base
VOLTAGE	12V
DIMMABLE	Yes, Dim to <10% via Transformer
DRIVER	Yes, 12V Integral Constant Current
TRANSFORMER	No, 12V AC/DC Transformer Required
MOUNT	Included Safety Cable
FINISH	Included Natural
MATERIAL	Brass & Copper
LOCATION	Exterior Wet
CERTIFICATIONS	UL, IP66, IP67
HOW TO SPECIFY	Call 760.931.2910

*For complete warranty terms, please visit: www.auroralight.com/warranty/



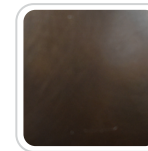
AVAILABLE FINISHES:



NAT
Natural Brass/
Copper



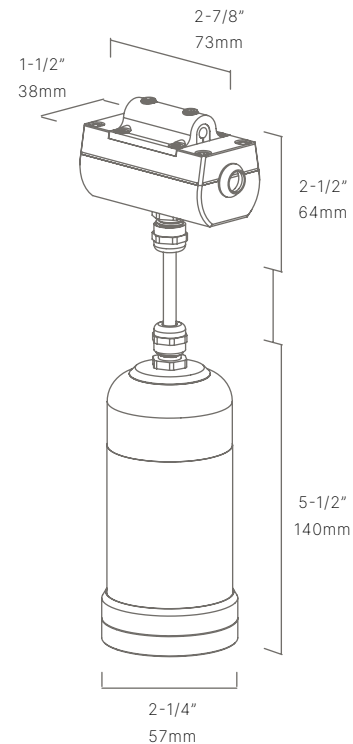
BLP
Bronze Living
Patina



BLPX
Extra Dark Bronze
Living Patina



NI
Nickel PVD



P. 760.931.2910

O. 2742 Loker Ave. W Carlsbad CA 92010

W. www.auroralight.com

MADE IN USA
WITH DOMESTIC & IMPORTED MATERIALS



AUORALIGHT

PROJECT:

SKU #:

TYPE:

P. 760.931.2910

O. 2742 Loker Ave. W Carlsbad CA 92010

W. www.auroralight.com

MADE IN USA
WITH DOMESTIC & IMPORTED MATERIALS

